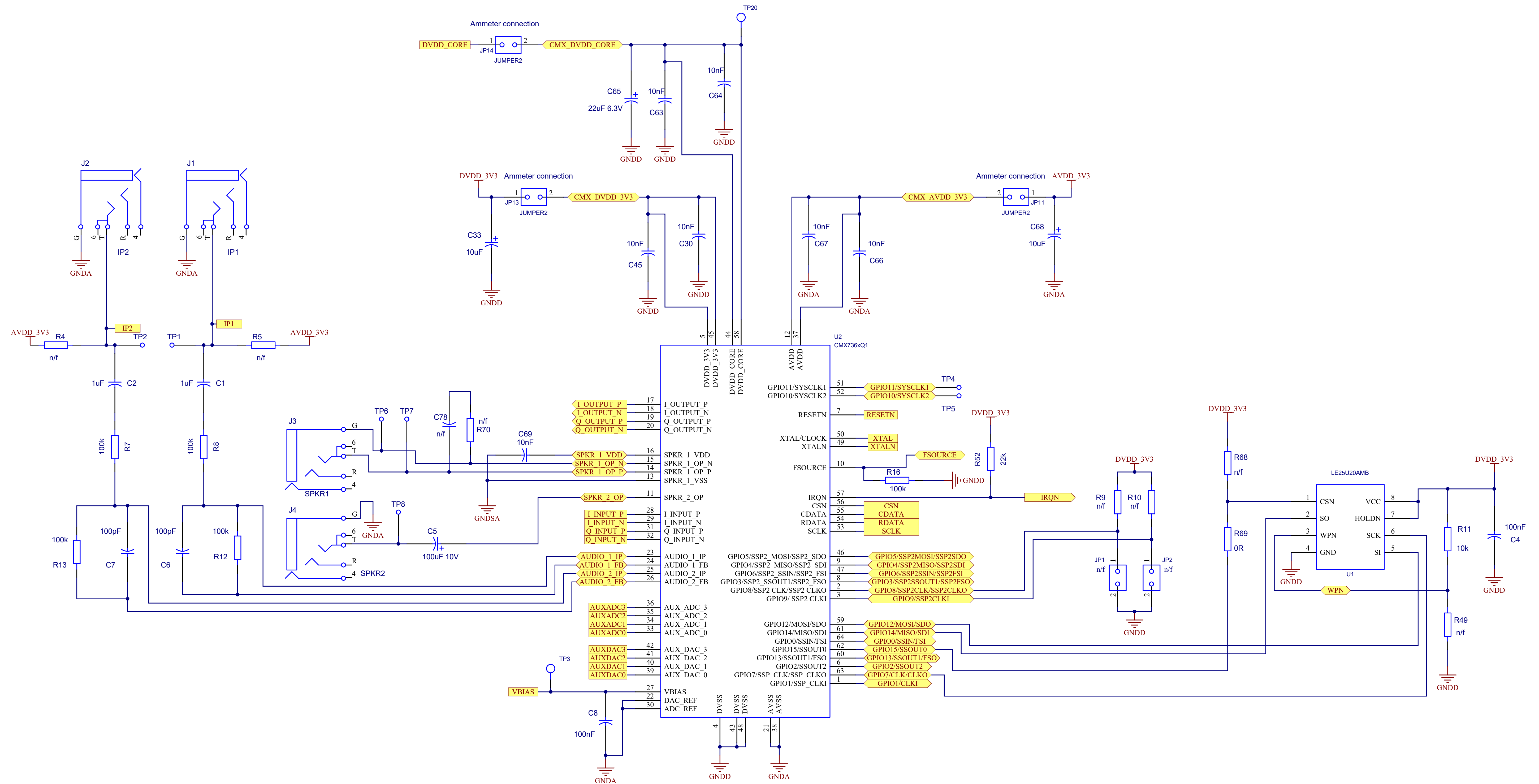


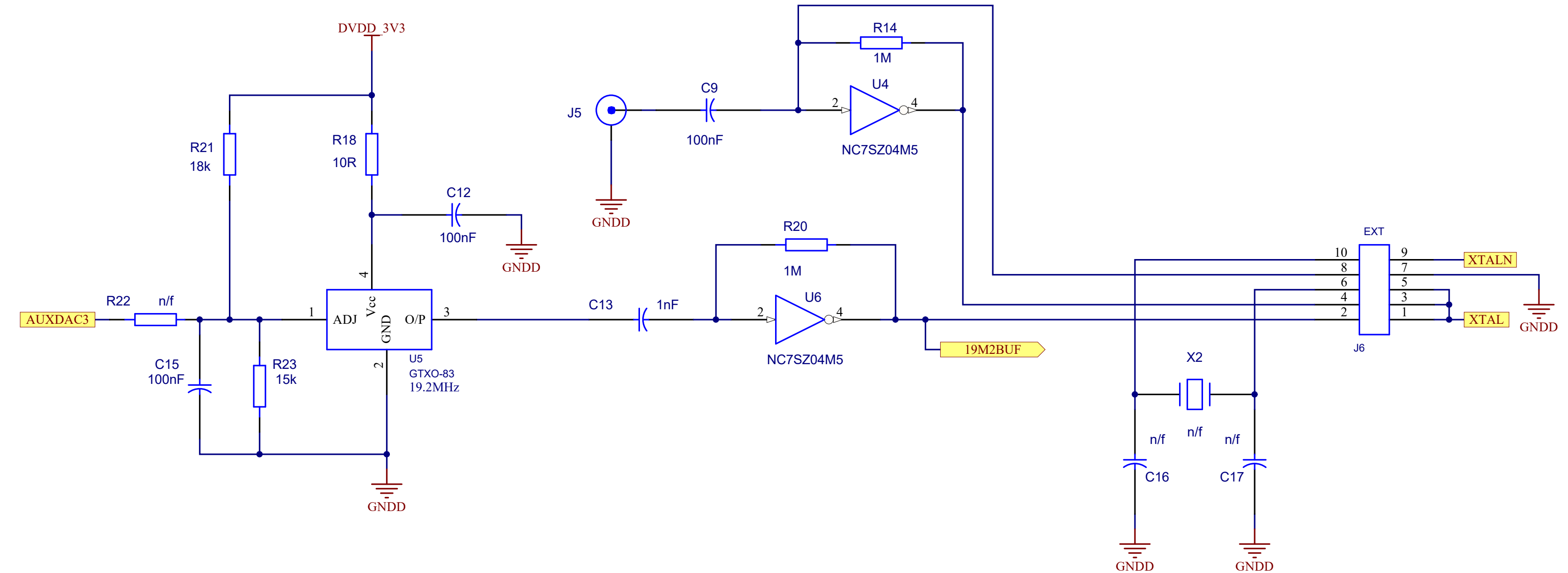
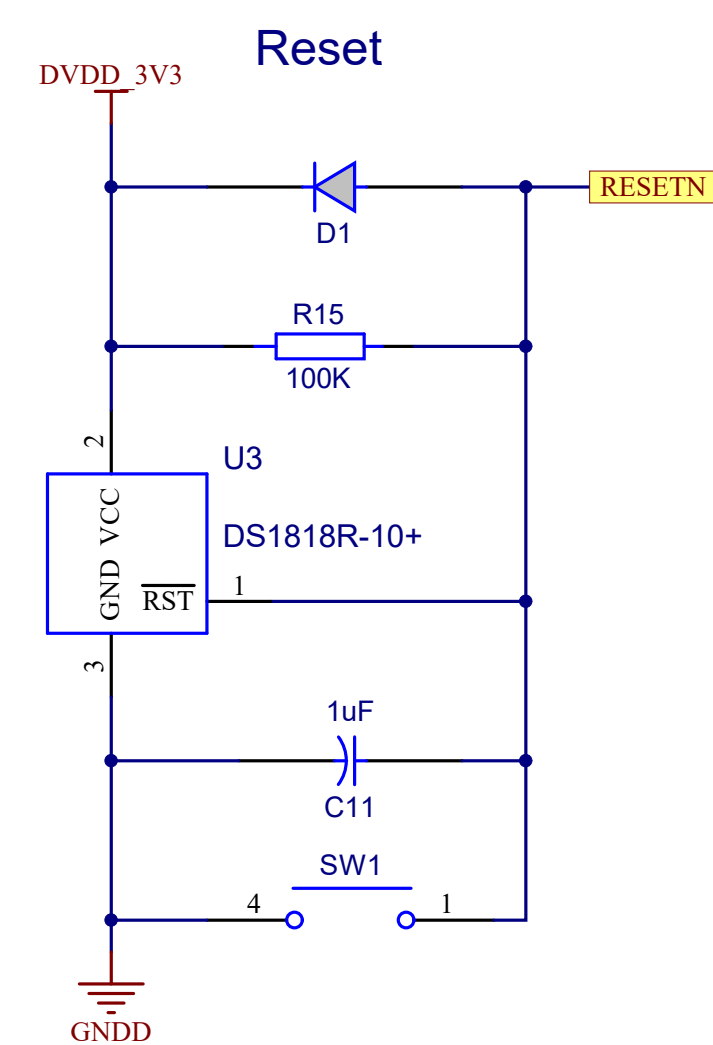
CML Microcircuits

COMMUNICATION SEMICONDUCTORS

High Resolution Circuit Diagrams for PE0602 February 2020

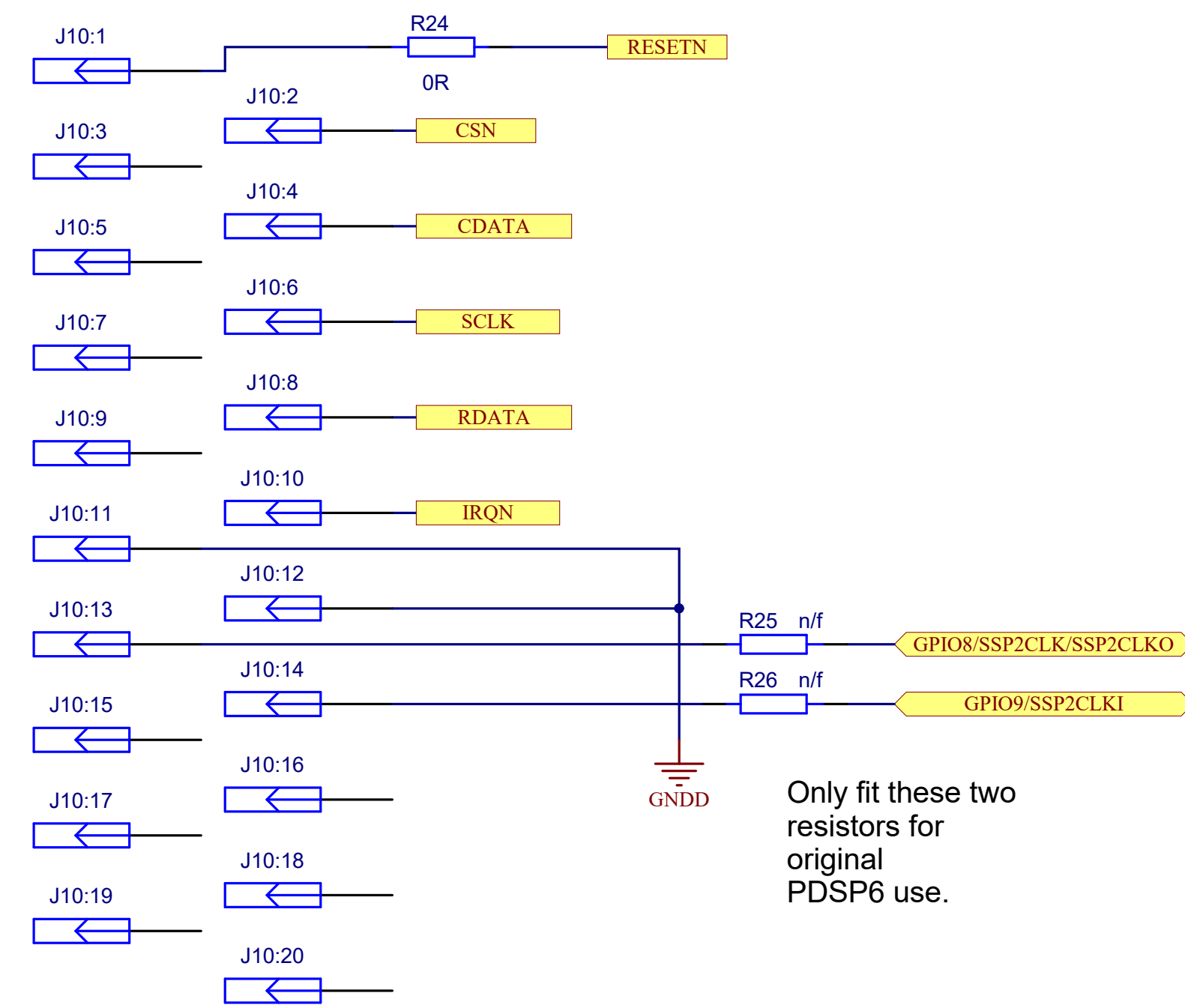


Device clocking options

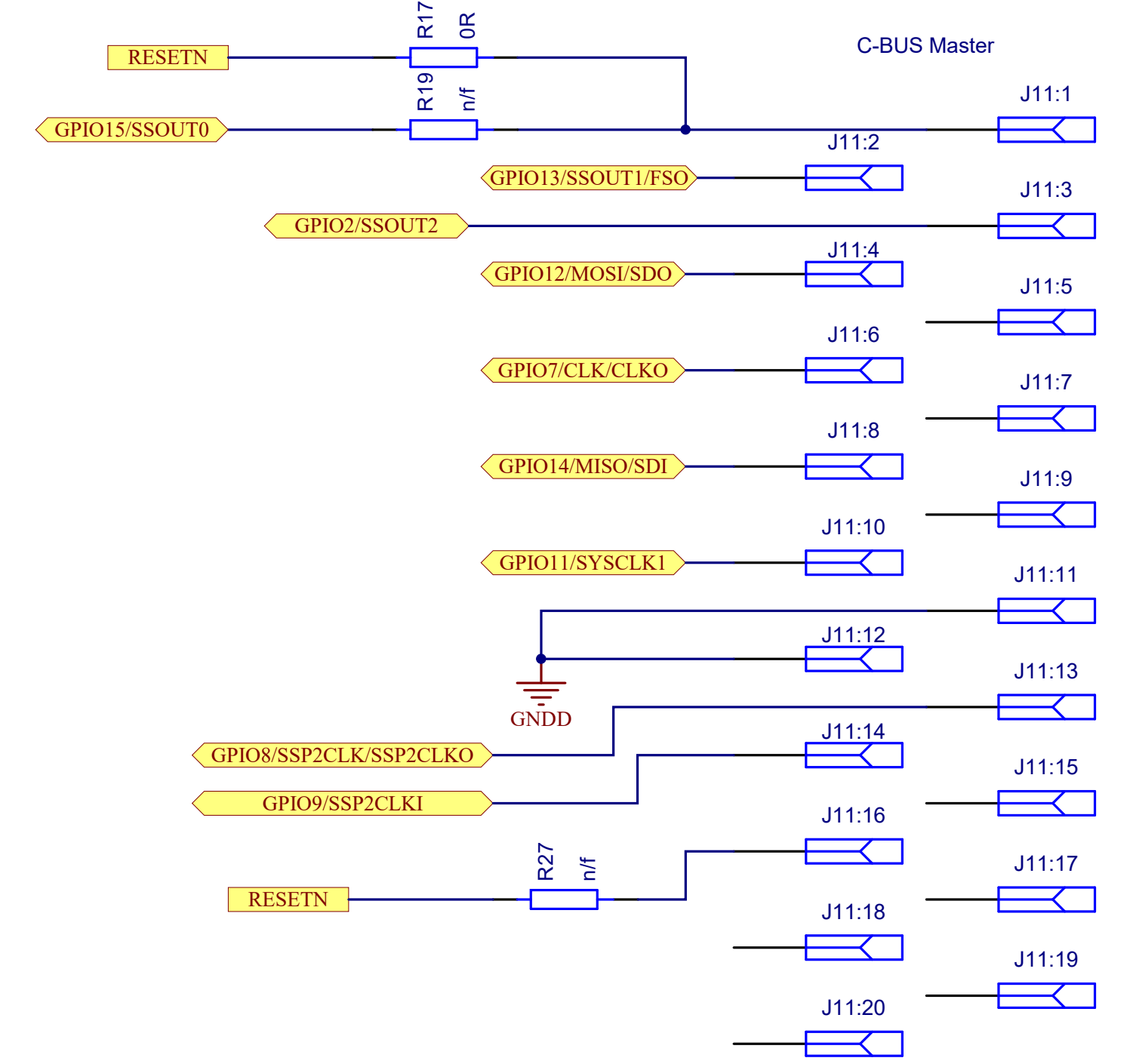
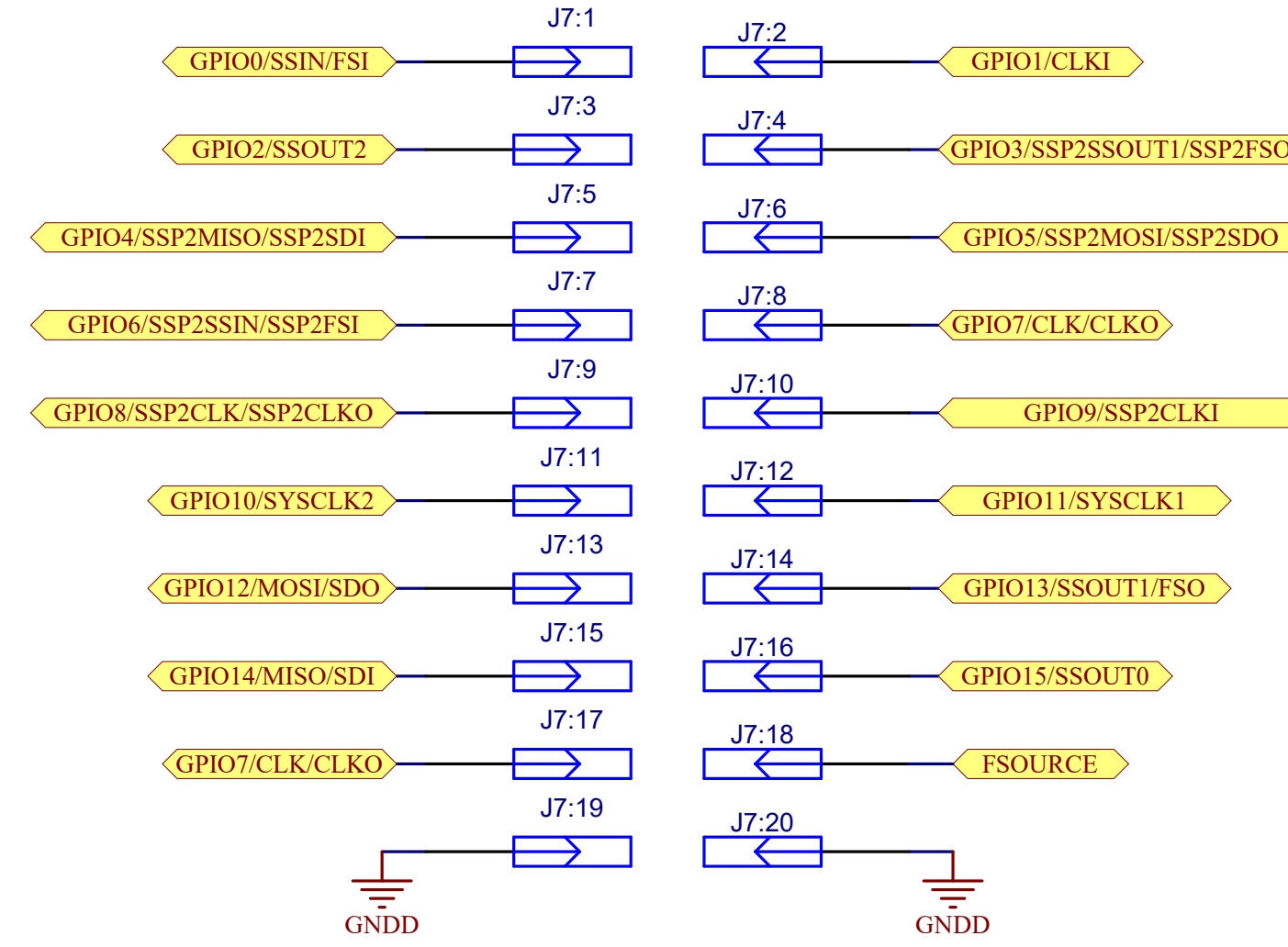


SSP Through Port / C-BUS master.

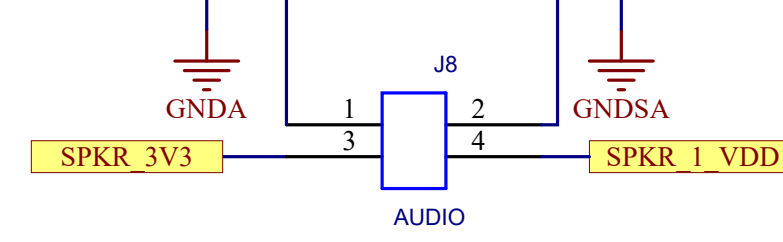
PE0003 Connector (C-BUS Slave)



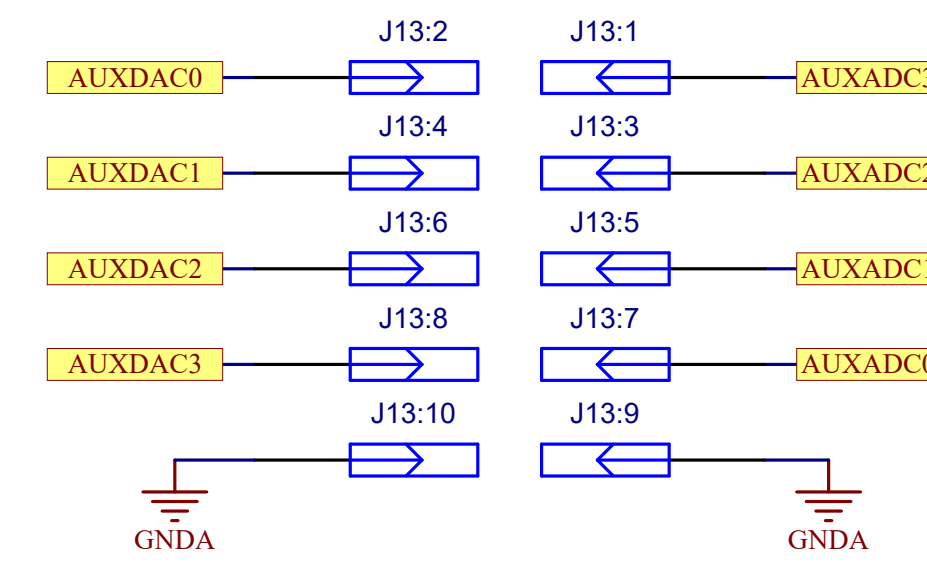
GPIO/SSP Connector

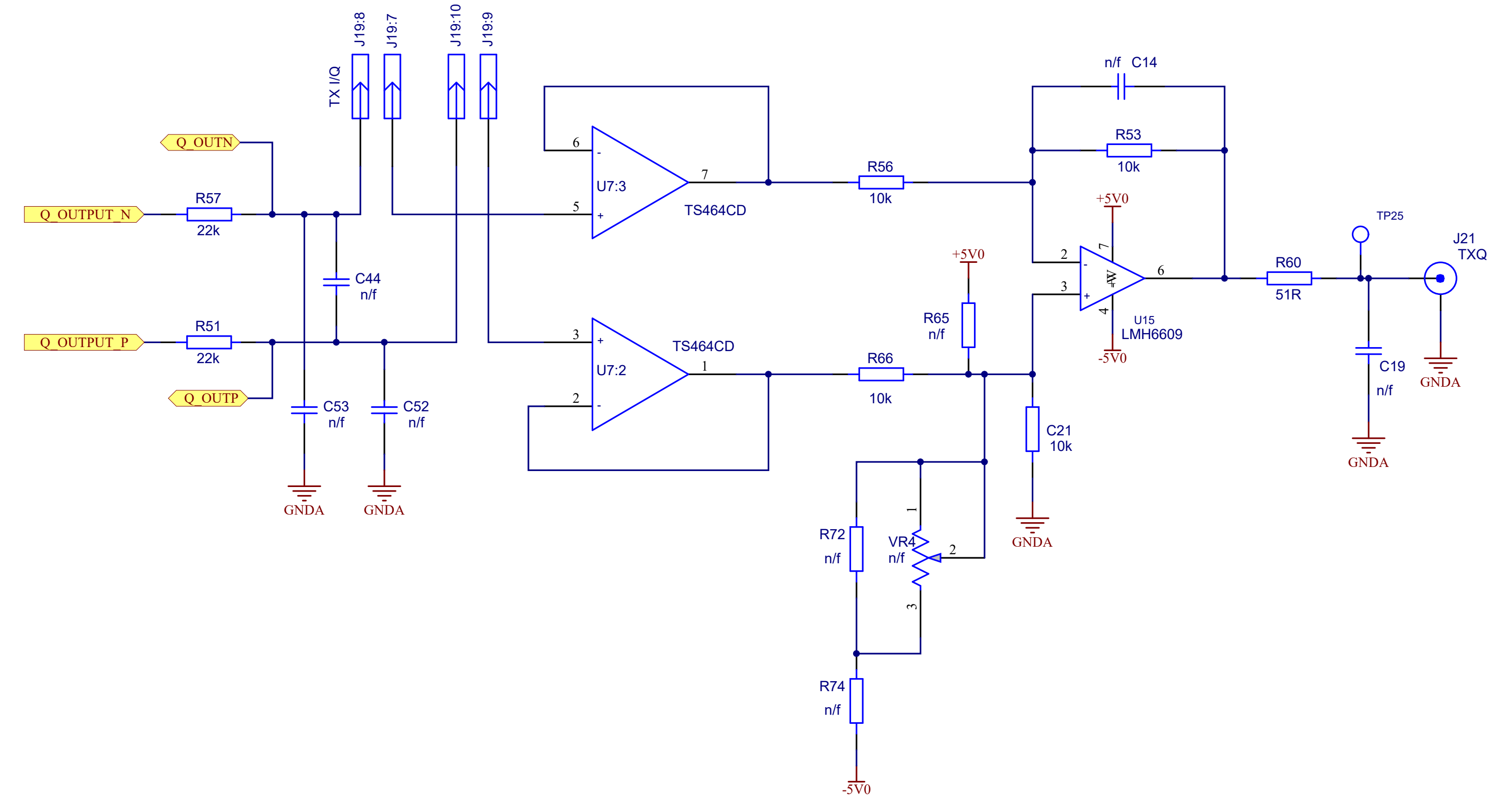
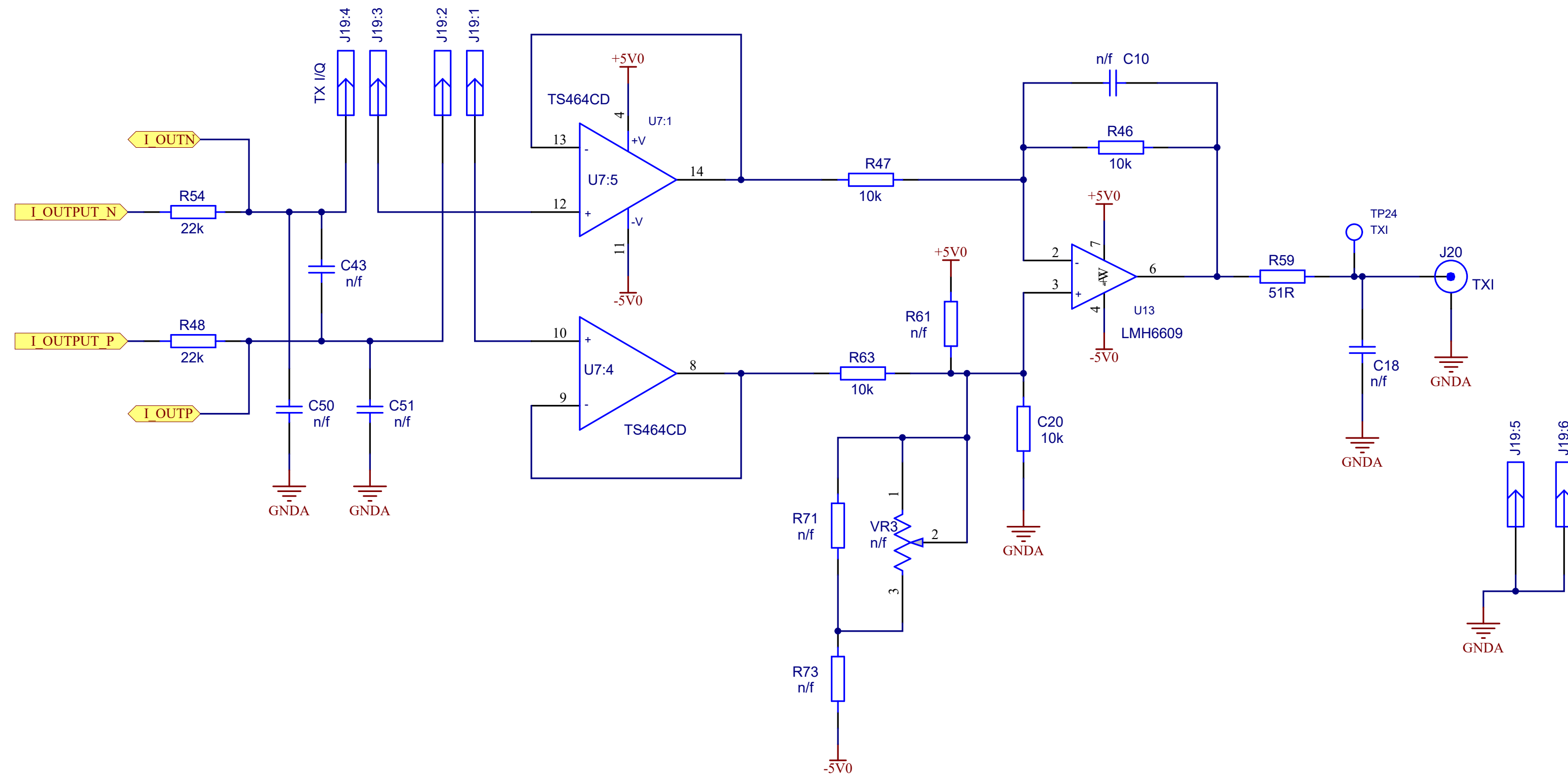
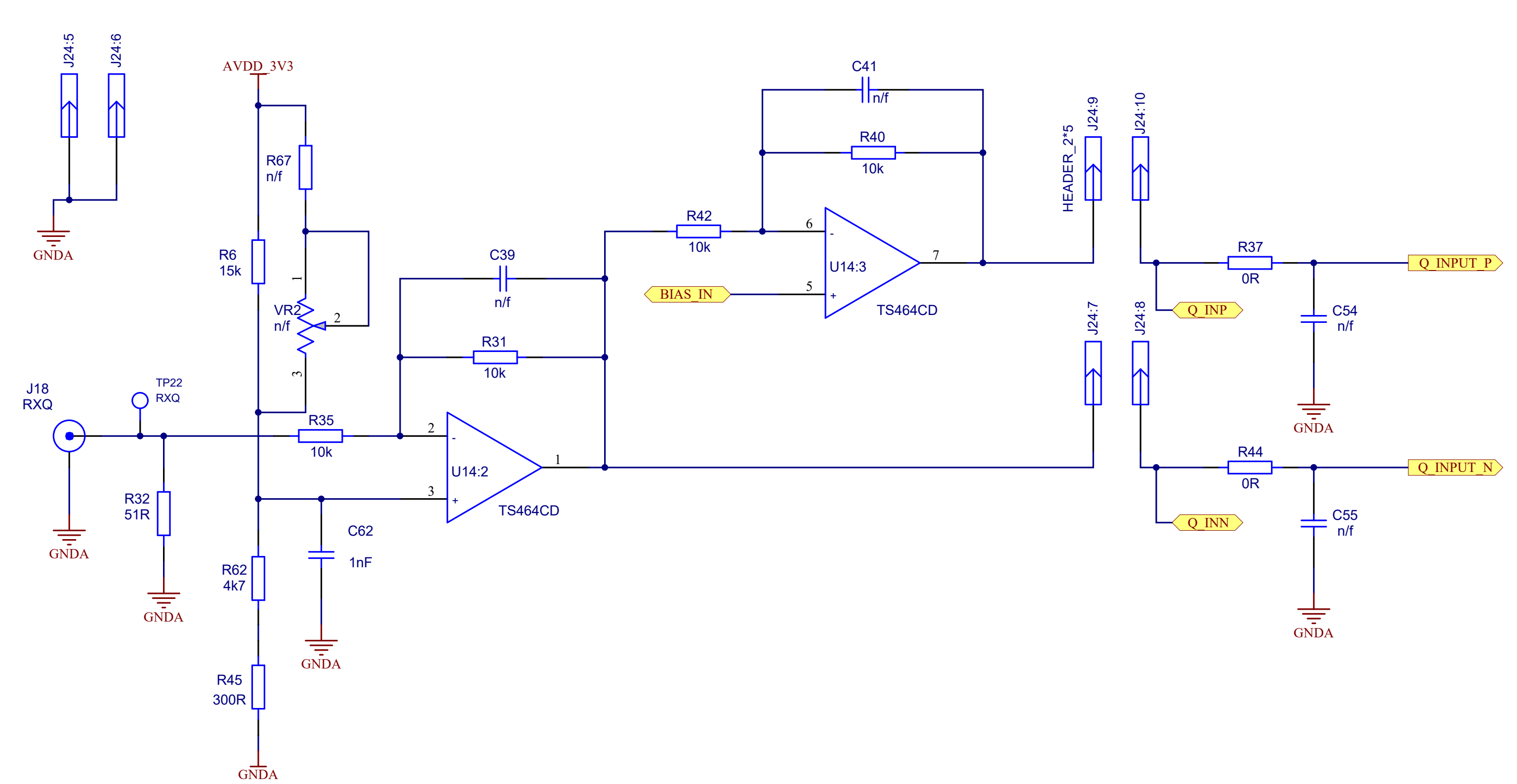
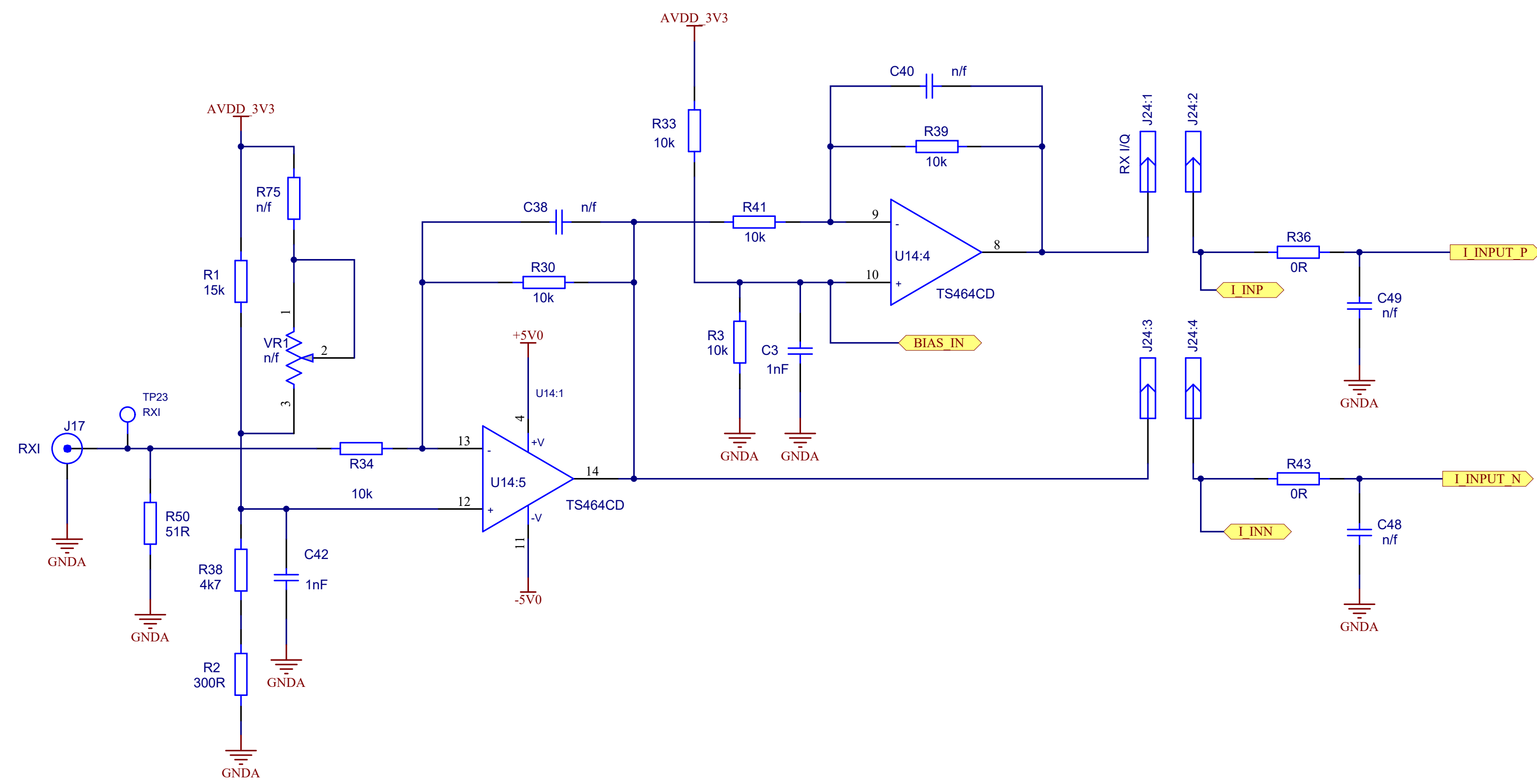


Audio Connector

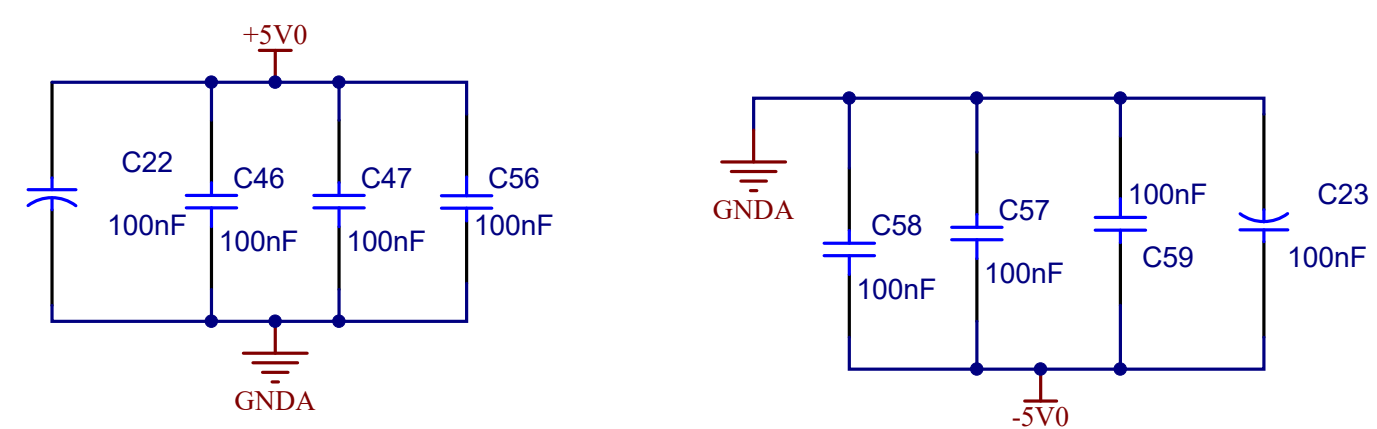


AUXDAC/AUXADC Connector

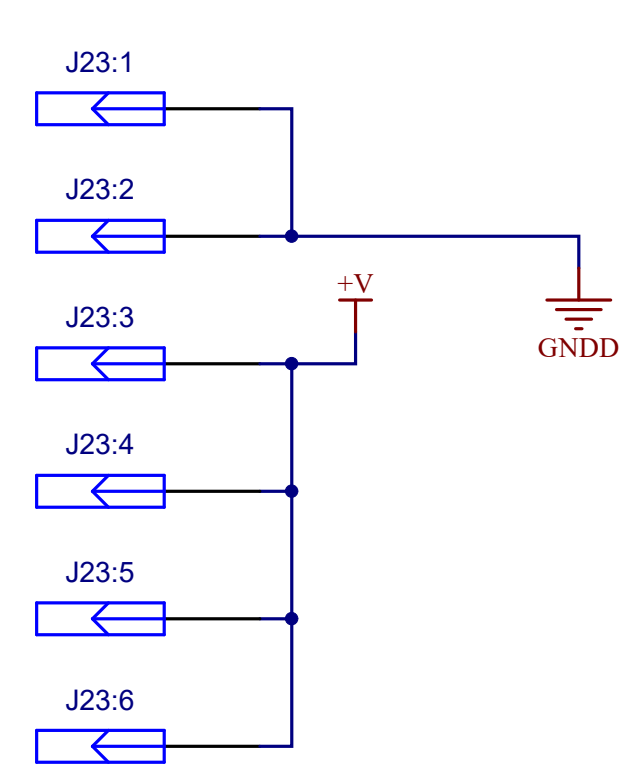




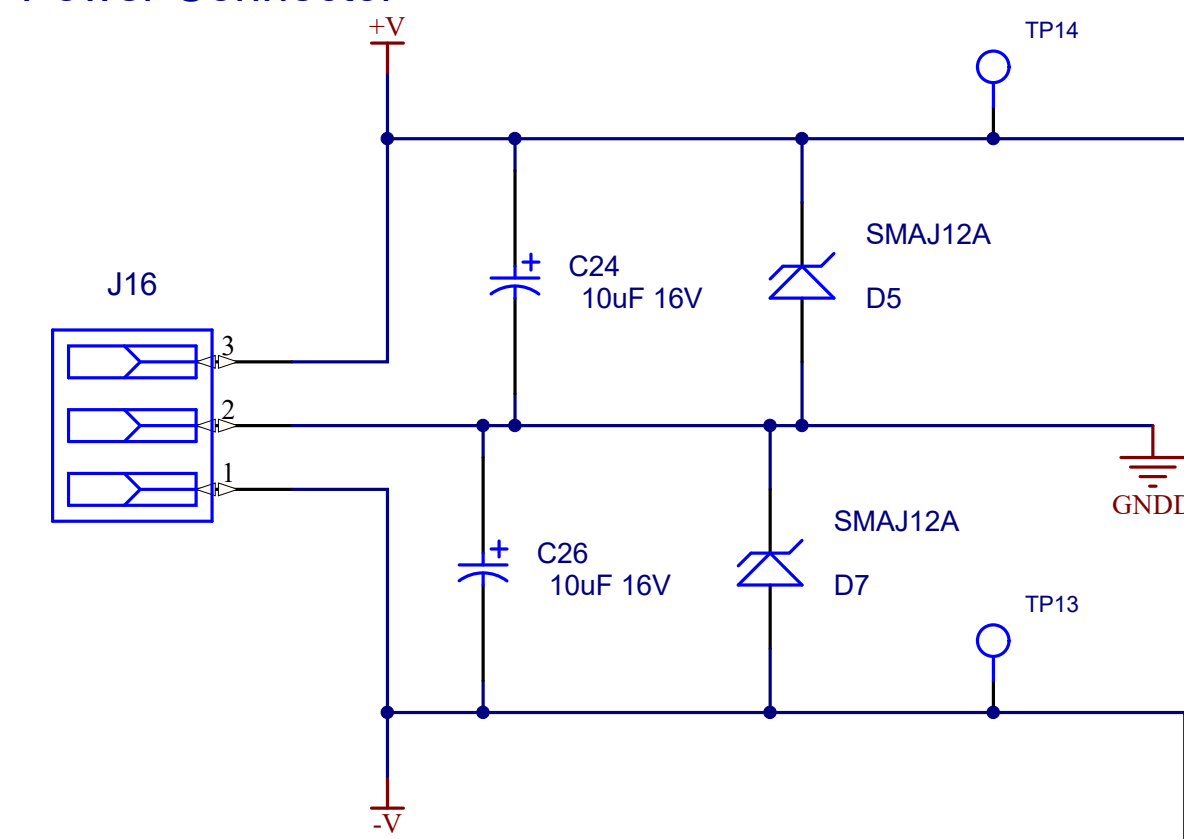
De-coupling for U14, U15, U16 & U7



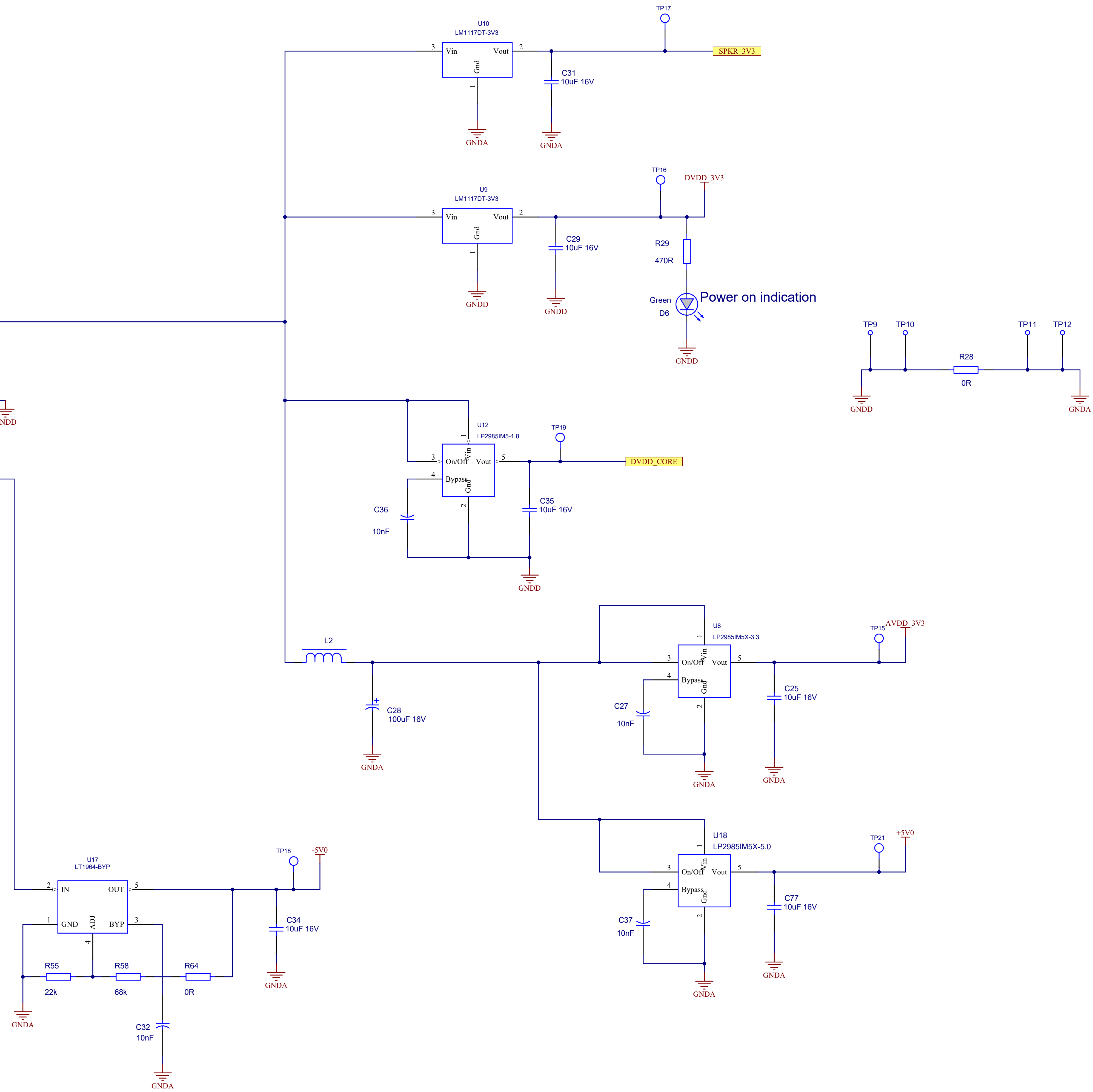
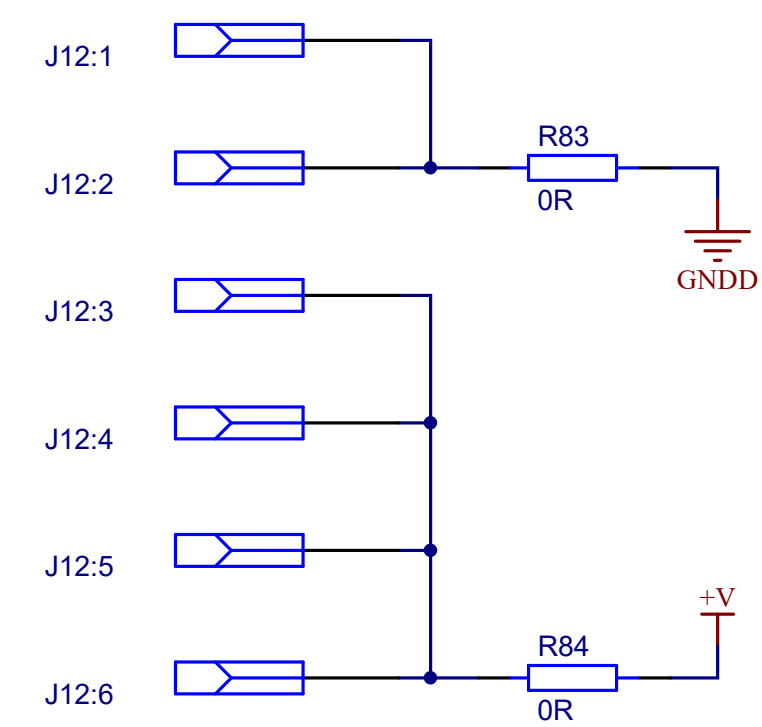
PE0003 Power Connector



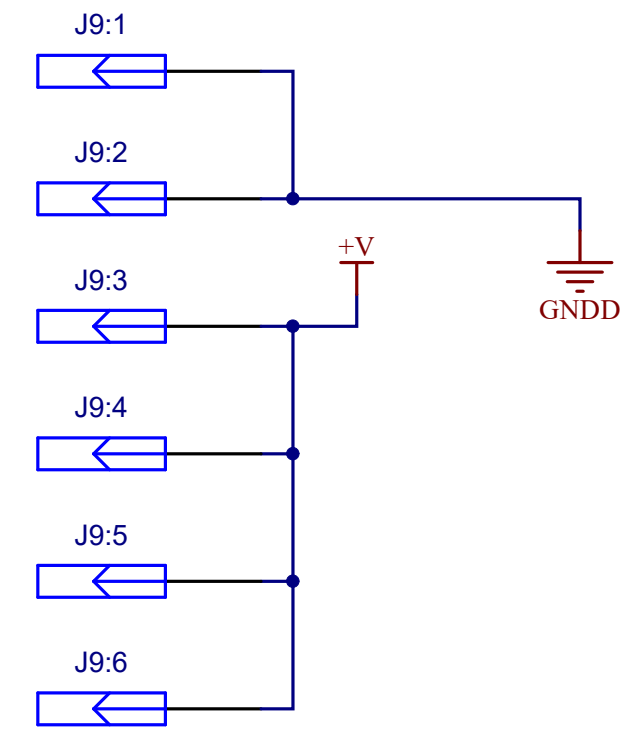
Power Connector



C-BUS Master Power Connector



DEBUG Power Connector



Debug (PE0003 Host Port)

